



SVP 2000 MINI-SERIES

MINI-SERIES *SVP 2000*



Quality for Small Quantities

With its larger SVP 2000 models, SÜDMO already set the standard in aseptic valve engineering. With the new SVP 2000 mini-series we extended the available range of nominal widths to DN 10 - 20 metric, ½" and ¾" OD, as well as DN 8 -15 ISO, based on the same modular construction principles as already applied on the standard SVP 2000 valve programme. A wide range of various executions, easy handling and meeting of every hygienic standard, from 3A up to the highest aseptic demands, are in the fore of the design. The SVP 200 mini-series allows to choose between different kinds of sealing: "simple" O-ring, metal bellow as well as PTFE bellow. Such the mini-series meets almost every hygienic demands in a way that is state-of-the art. And, on top, our bellow monitoring and control system guarantees a maximum in process safety, again on the highest level possible.

That's why the SVP 2000 mini-series is the optimum choice where maximum quality is in the fore and where products are processed in highest quality and, at the same time, in lowest quantities.

Reversible actuator, pneumatic booster and 3-position actuator again enable to cover all those customer requirements that already are met by the proven standard SVP 2000 range.

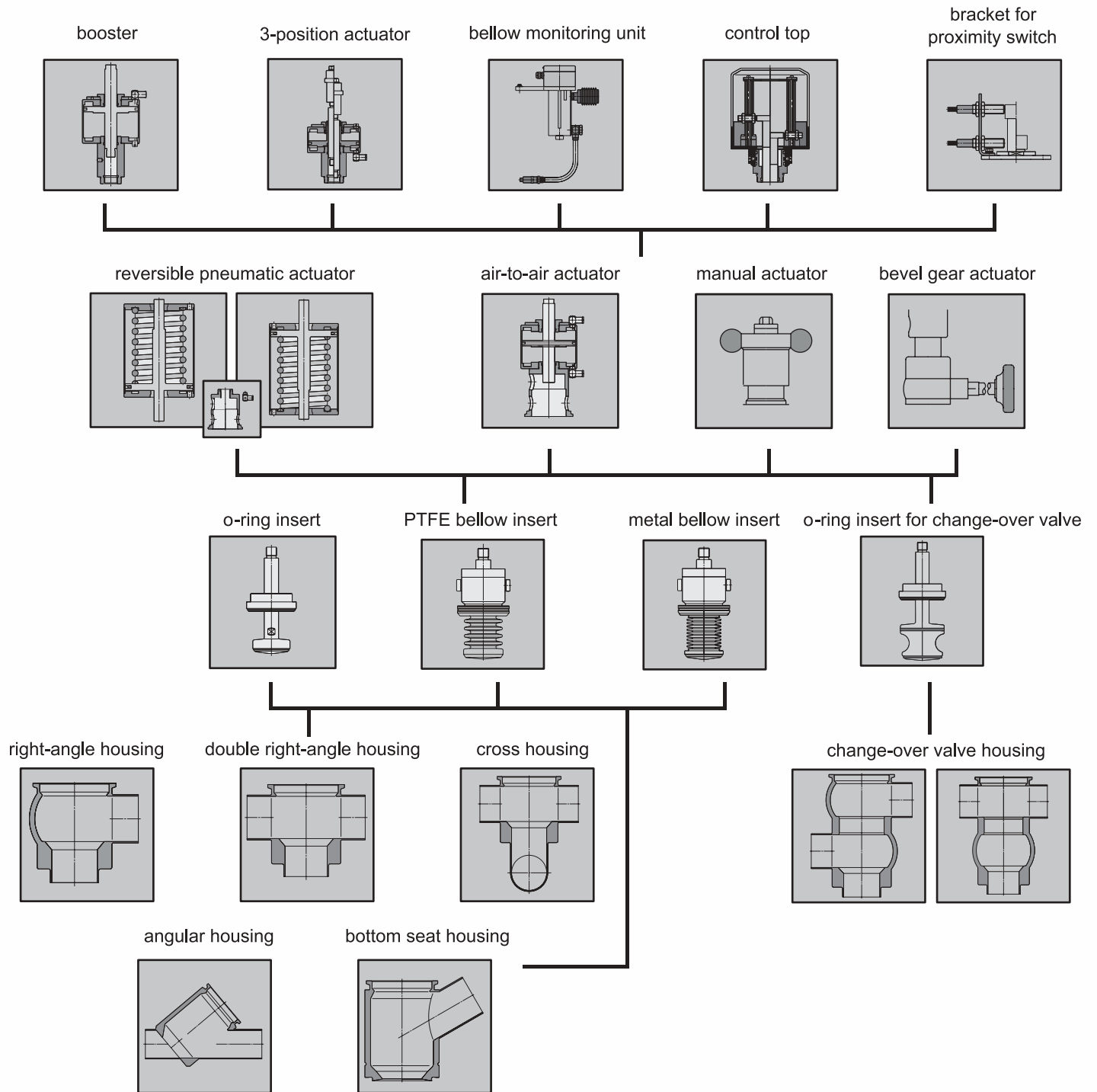
Surface qualities, connection variants, pressures and temperatures as well, of course, comply to the standards set up with our previous SVP programme, thus covering the entire field of hygienic processes.

The extension of our standard valve programme, whose hallmarks are quality, reliability, variability as well as safety, SÜDMO is able to offer custom-tailored valves in small sizes. Now and in future.

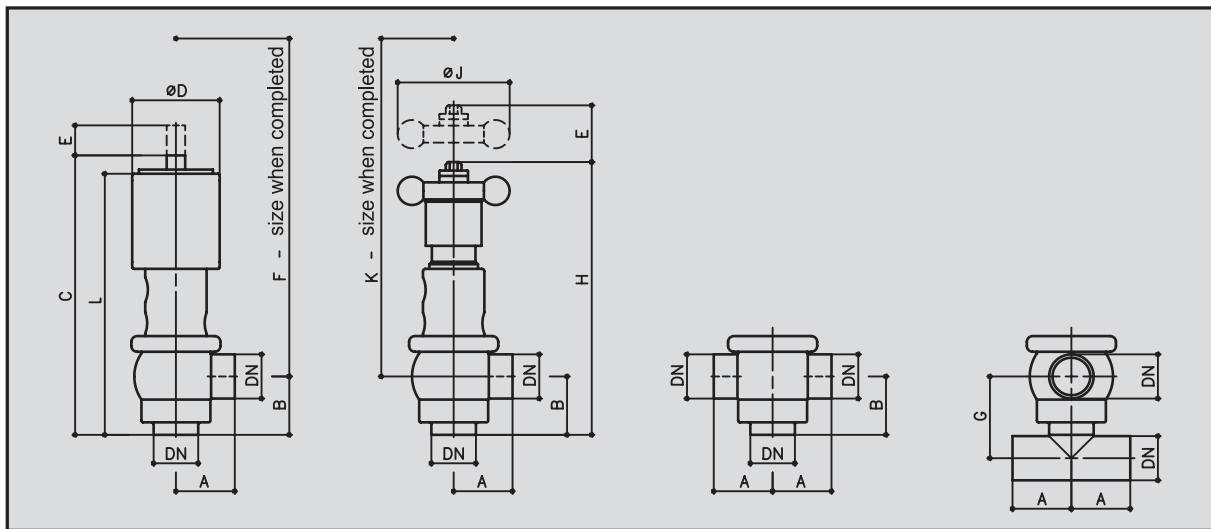


The following graphic represents a simplified summary of the SVP model 2000 modular construction system. Certain features have been altered or eliminated for clarity.

KIT SYSTEM



SVP 2000 RIGHT-ANGLE, DOUBLE RIGHT-ANGLE AND CROSS VALVES



	right-angle	double right-angle	cross
manual	..270..	..271..	..272..
pneumatic	..370	..371..	..372..

metric

DN	tube	A	B	C	øD	E	F	G	H	øJ	K	L
10	ø 13x1.5	45	45	214	64.5	5	215	52.5	201	78	205	199
15	ø 19x1.5	45	45	214	64.5	5	215	55.5	201	78	205	199
20	ø 23x1.5	45	45	214	64.5	5	215	57.5	201	78	205	199

OD tube

DN	tube	A	B	C	øD	E	F	G	H	øJ	K	L
1/2"	ø 12.70x1.65	45	45	214	64.5	5	215	52.5	201	78	205	199
3/4"	ø 19.05x1.65	45	45	214	64.5	5	215	55.5	201	78	205	199

ISO

DN	tube	A	B	C	øD	E	F	G	H	øJ	K	L
8	ø 13.5x1.6	45	45	214	64.5	5	215	52.5	201	78	205	199
10	ø 17.2x1.6	45	45	214	64.5	5	215	54.5	201	78	205	199
15	ø 21.3x1.6	45	45	214	64.5	5	215	56.5	201	78	205	199

Seal Variations

elastomer (profile seal and O-ring)

metal bellow (O-ring)

PTFE bellow

Material

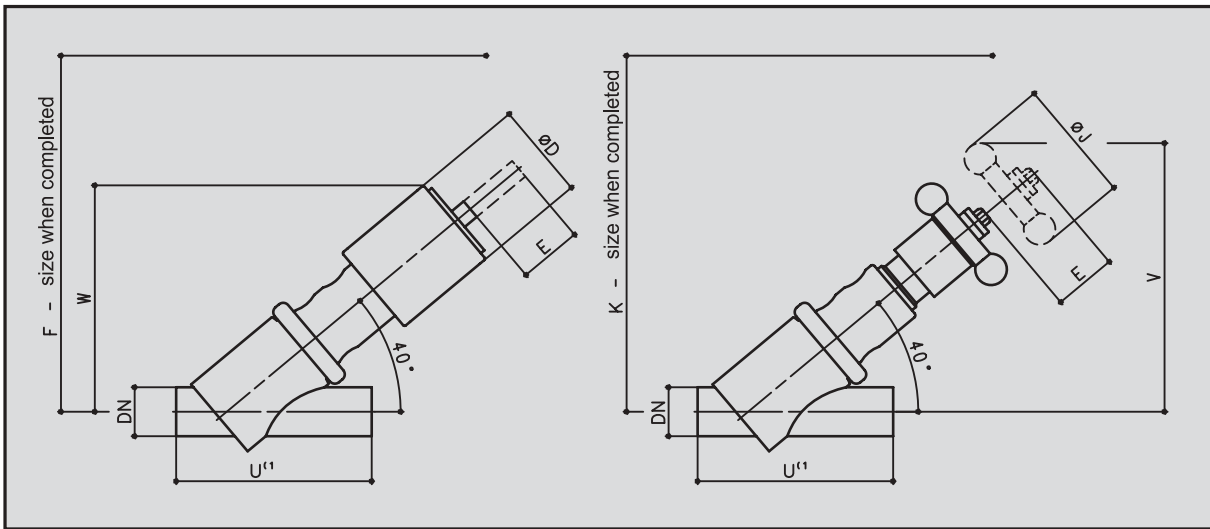
EPDM
HNBR
other materials at request

EPDM
HNBR

TFM 1705

operating pressure: max. 6 bar
control pressure: min. 6 bar - max. 8 bar

SVP 2000 ANGULAR SEAT VALVES



angular seat

manual	..280..
pneumatic	..380..

metric

DN	tube	∅D	E	F	∅J	K	U	V	W
10	∅ 13x1.5	∅64.5	10	190	78	180	145 ⁽¹⁾	141	152
15	∅ 19x1.5	∅64.5	10	190	78	180	145 ⁽¹⁾	138	149
20	∅ 23x1.5	∅64.5	10	190	78	180	105	136	147

OD tube

DN	tube	∅D	E	F	∅J	K	U	V	W
1/2"	∅ 12.70x1.65	∅64.5	10	190	78	180	145 ⁽¹⁾	141	152
3/4"	∅ 19.05x1.65	∅64.5	10	190	78	180	145 ⁽¹⁾	138	149

ISO

DN	tube	∅D	E	F	∅J	K	U	V	W
8	∅ 13.5x1.6	∅64.5	10	190	78	180	145 ⁽¹⁾	141	152
10	∅ 17.2x1.6	∅64.5	10	190	78	180	145 ⁽¹⁾	139	150
15	∅ 21.3x1.6	∅64.5	10	190	78	180	145 ⁽¹⁾	137	148

Seal Variations

elastomer (profile seal and O-ring)

metal bellow (O-ring)

PTFE bellow

Material

EPDM
HNBR
other materials at request

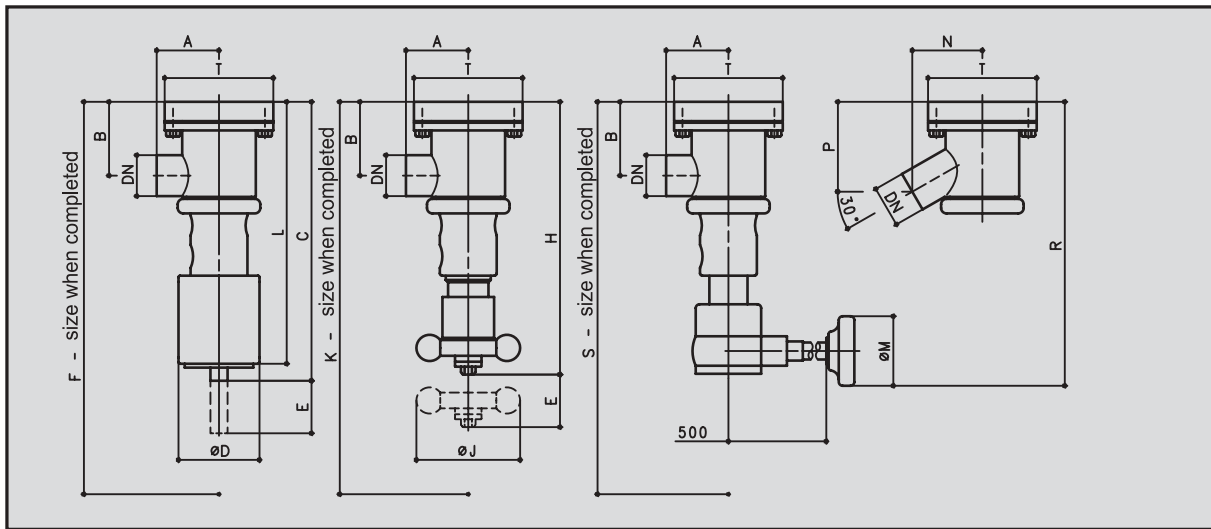
EPDM
HNBR

TFM 1705

1) valve housing DN 20 metric
eccentrically reduced

operating pressure: max. 6 bar
control pressure: min. 6 bar - max. 8 bar

SVP 2000 BOTTOM SEAT VALVES



bottom seat 90°

bottom seat 30°

manual	..285..	..286..
pneumatic	..385..	..386..
bevel gear	..287..	..288..

metric

DN	tube	A	B	C	øD	E	F	H	øJ	K	L	øM	N	P	R	S	øT
10	ø 13x1.5	50	50.5	211	64.5	10	280	198	78	265	200	50	50	64	226	285	88
15	ø 19x1.5	50	47.5	211	64.5	10	280	198	78	265	200	50	50	61	226	285	88
20	ø 23x1.5	50	45.5	211	64.5	10	280	198	78	265	200	50	50	58.5	226	285	88

OD tube

DN	tube	A	B	C	øD	E	F	H	øJ	K	L	øM	N	P	R	S	øT
1/2"	ø 12.70x1.65	50	51	211	64.5	10	280	198	78	265	200	50	50	64.5	226	285	88
3/4"	ø 19.05x1.65	50	47.5	211	64.5	10	280	198	78	265	200	50	50	61	226	285	88

ISO

DN	tube	A	B	C	øD	E	F	H	øJ	K	L	øM	N	P	R	S	øT
8	ø 13.5x1.6	50	50.5	211	64.5	10	280	198	78	265	200	50	50	64	226	285	88
10	ø 17.2x1.6	50	48.5	211	64.5	10	280	198	78	265	200	50	50	62	226	285	88
15	ø 21.3x1.6	50	46.5	211	64.5	10	280	198	78	265	200	50	50	59.5	226	285	88

Seal Variations

elastomer (profile seal and O-ring)

metal bellow (O-ring)

PTFE bellow

Material

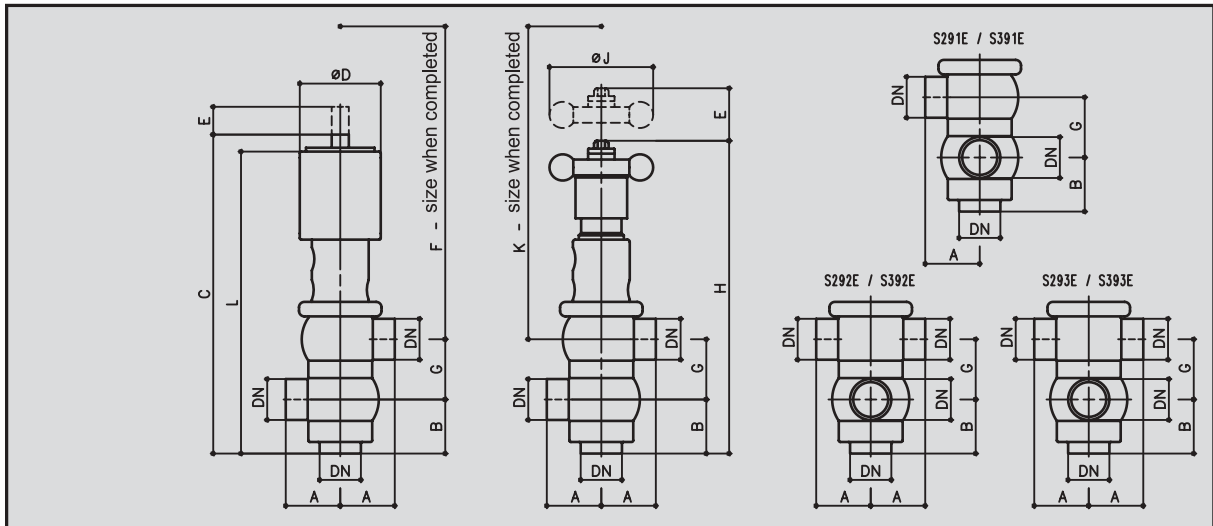
EPDM
HNBR
other materials at request

EPDM
HNBR

TFM 1705

operating pressure: max. 6 bar
control pressure: min. 6 bar - max. 8 bar

SVP 2000 CHANGE-OVER VALVES



	change-over valve 3 x welding ports	change-over valve 4 x welding ports	change-over valve 4 x welding ports	change-over valve 5 x welding ports
manual	S290E	S291E	S292E	S293E
pneumatic	S390E	S391E	S392E	S393E

metric

DN	tube	A	B	C	ØD	E	F	G	H	ØJ	K	L
10	Ø 13x1.5	45	45	247	64.5	13	245	40	234	78	230	239
15	Ø 19x1.5	45	45	247	64.5	13	245	40	234	78	230	239
20	Ø 23x1.5	45	45	247	64.5	13	245	40	234	78	230	239

OD tube

DN	tube	A	B	C	ØD	E	F	G	H	ØJ	K	L
1/2"	Ø 12.70x1.65	45	45	247	64.5	13	245	40	234	78	230	239
3/4"	Ø 19.05x1.65	45	45	247	64.5	13	245	40	234	78	230	239

ISO

DN	tube	A	B	C	ØD	E	F	G	H	ØJ	K	L
8	Ø 13.5x1.6	45	45	247	64.5	13	245	40	234	78	230	239
10	Ø 17.2x1.6	45	45	247	64.5	13	245	40	234	78	230	239
15	Ø 21.3x1.6	45	45	247	64.5	13	245	40	234	78	230	239

Seal Variations

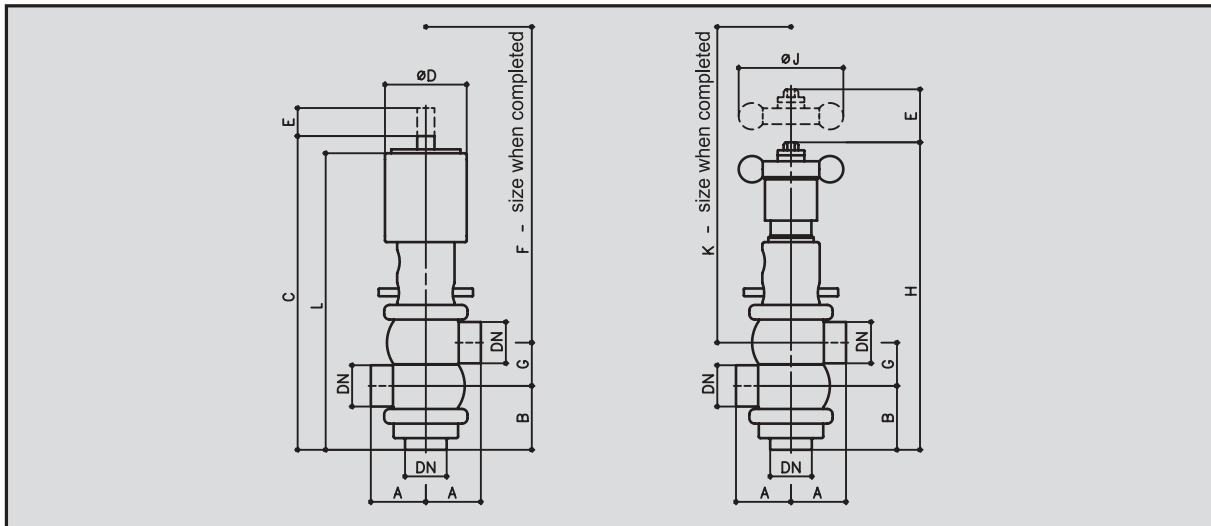
elastomer (profile seal and O-ring)

Material

EPDM
HNBR
other materials at request

operating pressure: max. 6 bar
control pressure: min. 6 bar - max. 8 bar

SVP 2000 ASEPTIC CHANGE-OVER VALVES



aseptic change-over
3 x welding ports

manual	A294M / A294T
pneumatic	A394M / A394T

metric

DN	tube	A	B	C	ØD	E	F	G	H	ØJ	K	L
10	Ø 13x1.5	45	55	250	64.5	5	250	27	240	78	240	236
15	Ø 19x1.5	45	55	250	64.5	5	250	27	240	78	240	236
20	Ø 23x1.5	45	55	250	64.5	5	250	27	240	78	240	236

OD tube

DN	tube	A	B	C	ØD	E	F	G	H	ØJ	K	L
1/2"	Ø 12.70x1.65	45	55	250	64.5	5	250	27	240	78	240	236
3/4"	Ø 19.05x1.65	45	55	250	64.5	5	250	27	240	78	240	236

ISO

DN	tube	A	B	C	ØD	E	F	G	H	ØJ	K	L
8	Ø 13.5x1.6	45	55	250	64.5	5	250	27	240	78	240	236
10	Ø 17.2x1.6	45	55	250	64.5	5	250	27	240	78	240	236
15	Ø 21.3x1.6	45	55	250	64.5	5	250	27	240	78	240	236

Seal Variations

elastomer (profile seal and O-ring)

Material

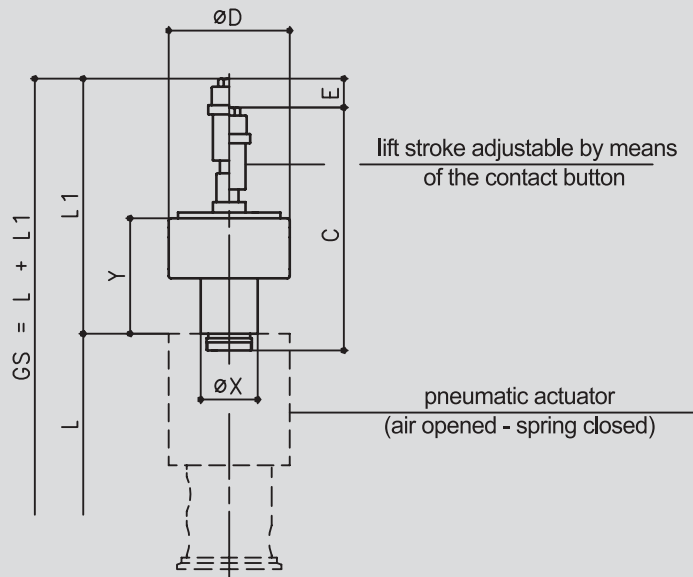
EPDM
HNBR
other materials at request

PTFE bellow

TFM 1705

operating pressure: max. 6 bar
control pressure: min. 6 bar - max. 8 bar

Z 370 S Pneumatic 3-Position Drive as an accessory for shifting the valves into an intermediate position



control air pressure: minimum 6 bar - maximum 6 bar

The 3-position actuator can be added to all pneumatic valves of the SVP model 2000 series working air opened - spring closed.

The overall height GS of a valve with 3-position drive can be calculated as sum of dimension L (basic valve model) + L1 (3-position actuator)

metric

DN	tube
10	Ø 13x1.5
15	Ø 19x1.5
20	Ø 23x1.5

OD tube

DN	tube
1/2"	Ø 12.70x1.65
3/4"	Ø 19.05x1.65

ISO

DN	tube
8	Ø 13.5x1.6
10	Ø 17.2x1.6
15	Ø 21.3x1.6

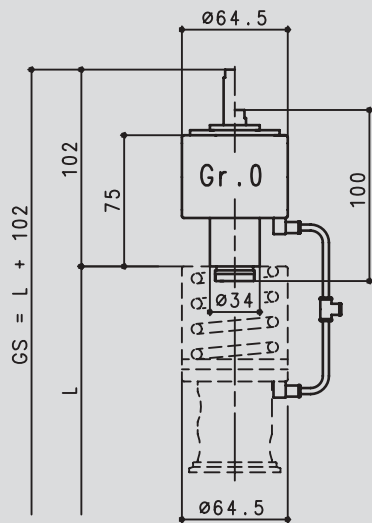
C	ØD	E	L 1	ØX	Y	lift stroke
140	64.5	= main stroke of the applied valve	140	34	65	0 - 6 mm adjustable
140	64.5		140	34	65	
140	64.5		140	34	65	

SVP 2000 MINI-SERIES ACCESSORY

Booster

Z 370 B

**Pneumatic Booster
as an accessory
in case of low control pressure**

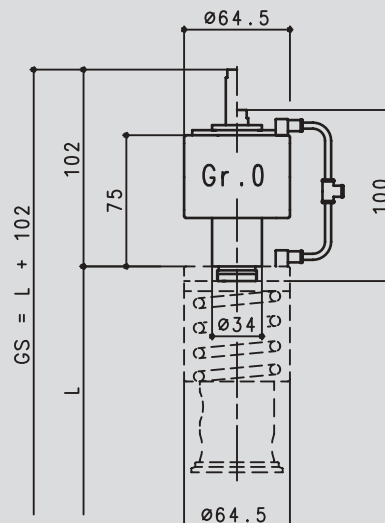


Size 0

for addition to valves with nominal widths of
metric: DN 10 / 15 / 20
OD tube: 1/2" / 3/4"
ISO: DN 08/ 10 / 15
air opened - spring closed



control air pressure: mín. 3 bar
at an operating pressure: max. 6 bar



Size 0

for addition to valves with nominal widths of
metric: DN 10 / 15 / 20
OD tube: 1/2" / 3/4"
ISO: DN 08/ 10 / 15
spring opened - air closed



control air pressure: mín. 3 bar
at an operating pressure: max. 6 bar



TECHNICAL DATA

stainless steels	product wetted parts	1.4404 (AISI 316L)
	optional	1.4435 (AISI 316L)
	non-product wetted parts	1.4301 (AISI 304)
sealing elements	PTFE bellow	TFM 1705
	metal bellow	1.4404 / 1.4571
	optional	2.4602 Hastalloy C22 / C276
	sealing material	EPDM (FDA-approved)
	optional	HNBR (FDA-approved)
		other materials on request
temperatures	permanent operating pressure	130 ° C (EPDM) / 265° F *
	sterilisation temperature	150 ° C (EPDM) / 300°F *
pressure	operating pressure	standard 6 bar
		optional 10 bar
	control air pressure	min. 6 bar – max. 8 bar
	optional	booster: with insufficient air performance (such as a control pressure of 3.5 bar)
		leakage test according to DIN 3230/BN
surfaces	product wetted parts	Ra ≤ 0,8 µm
	non-product wetted parts	metallic bright, Ra ≤ 1,6 µm
	optional	e-polished or other high-quality surfaces on request
connections	standard	welded ends for tubes according to DIN 11850 (series 2), OD tube or DIN EN ISO 1127
	optional	all common threaded, clamp and flange connections

* depending on operating parameters



MINI-SERIES
SVP 2000



Technical changes reserved, 2003-02, ID-Nr.: 2111554

SÜDMO Components GmbH

Industriestrasse 7
D-73469 Riesbürg

Tel. ++49(9081) 80 3-0
Fax ++49(9081) 80 31 58

Email: info@sudmo.de



A NORIT COMPANY